



BEHRINGER

Medical gas devices



EURO/A third source module

Product description

Control module for medical gases, consisting of one JUNIOR model regulator, two pressure gauges, CW614N brass body and cap and a High Pressure shut-off valve. The inlet connection is specific for the gas used, the outlet is fitted with a \varnothing 10 mm weld-on pipe connector. Its maximum nitrogen capacity at 7.5 bar outlet pressure is 48 Nm³/h, 800 NI/min. The pressure regulator High Pressure gauge has electrical contacts, and is pre-calibrated with a 100 bar alarm threshold (30 for NO₂ and CO₂) and can be connected to an alarm control unit to signal source empty. The module is protected from atmospheric agents by a

white painted steel box with transparent PLEXIGLAS windows for checking the pressure gauges. For easy wall mounting, all components are installed on a white painted steel plate.

Normatives

UNI EN ISO 10524-2:2006 | UNI EN ISO 9001:2008 | UNI CEI EN ISO 14971:2012 | UNI CEI EN ISO 13485:2004 | UNI EN ISO 15001:2012

Components

- N. One JUNIOR pressure regulator made of CW614N brass and stainless steel pressure adjustment set screw.
- N. One overpressure discharge valve, integrated into the pressure regulator, made of CW614N brass.
- N. One gas-specific inlet.
- N. One outlet with \varnothing 10 mm weld-on pipe connector.
- N. One CW614N brass High Pressure shut-off valve.
- N. One High Pressure gauge with electrical contacts, range 0-315 bar, class 2.5.
- N. One Low Pressure gauge, range 0-16 bar, class 2.5.
- N. One sintered bronze inlet filter (filtration grade < 100 μ m).
- Stainless steel springs.
- VITON O-Ring for O₂, NBR O-ring for other gases.
- NYLON seal seat for O₂, TEFLON seal seat for other gases.
- VITON O-Ring for O₂, NBR O-ring for other gases.
- Nylon gaskets.
- White painted steel cover.
- White painted steel fixing plate.

Behringer S.r.l. via Gualco 4, 16165 Genova ITALY

T +39 010 8309103

F +39 010 8309183

e-mail info@behringer.it

C.F. e P.I. 01167840998

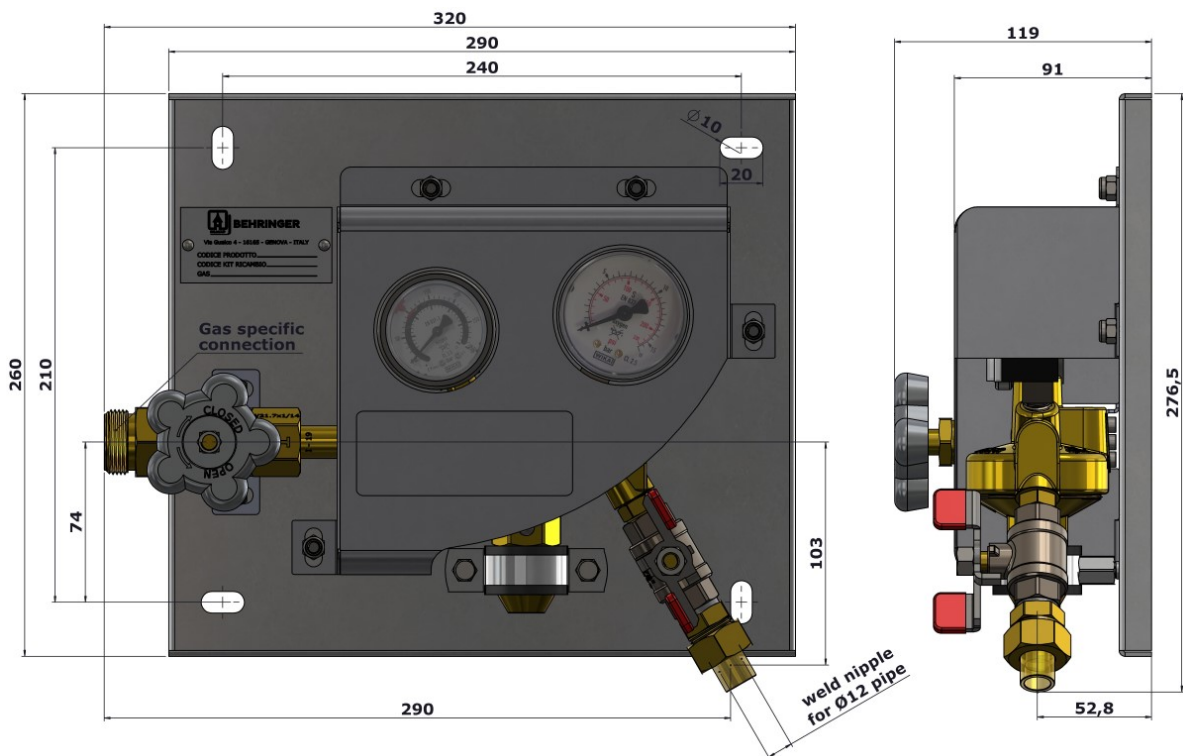
Product codes

GAS	CODE
OXYGEN	HQ110
AIR 400	HQ111
NITROUS OXIDE	HQ112
CARBON DIOXIDE	HQ113
NITROGEN	HQ114

Technical data

CODE	Q max.	P ₁ max.	P ₂	INLET CONNECTION	OUTLET CONNECTION	WEIGHT
HQ110	48 Nm ³ /h	200 bar	7,5 bar	W21,7x1/14" 'A'	Ø 10 mm weld-on pipe	6,90 kg
HQ111	48 Nm ³ /h	200 bar	7,5 bar	W30x1/14" 'A'	Ø 10 mm weld-on pipe	6,90 kg
HQ112	48 Nm ³ /h	200 bar	7,5 bar	G3/8" 'A'	Ø 10 mm weld-on pipe	6,90 kg
HQ113	48 Nm ³ /h	200 bar	7,5 bar	W27x2 'A'	Ø 10 mm weld-on pipe	6,90 kg
HQ114	48 Nm ³ /h	200 bar	7,5 bar	W21,7x1/14" 'B'	Ø 10 mm weld-on pipe	6,90 kg

Technical Images



Behringer S.r.l. via Gualco 4, 16165 Genova ITALY

T +39 010 8309103

F +39 010 8309183

e-mail info@behringer.it

C.F. e P.I. 01167840998

